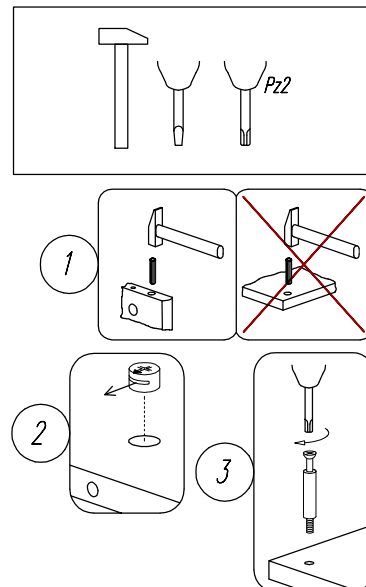
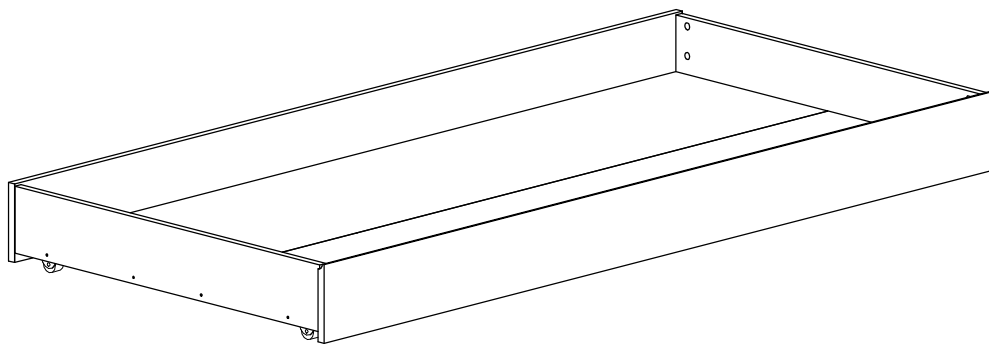


SZUFLADA 200x90



A	B	C	E	F	G	H	I	
∅10x50	∅8x40	∅8x50	ST/L=34	∅15	∅3,5x30	∅4,0x16	x7	x1
x4	x20	x8	x8	x8	x30	x14		

DRAWER 200-PL 1/2011

